

KAYSAFE ENGINEERING LTD

12 Linkfield Corner,
Redhill.
Surrey, RH1 1BB
UNITED KINGDOM



Tel :00 44 (0) 1737 772210
Fax:00 44 (0) 1737 771200
www.kaysafe.co.uk

e-mail – sales@kaysafe.co.uk

DATA SHEET 31 – FIG TP703 FLAT PLATE STRAINER

SIZES: 1" to 36" NB Larger on request

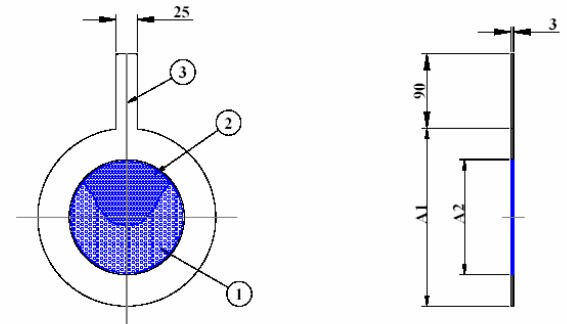
TO SUIT FLANGES TO: ANSI B16.5
BS4504/DIN
BS10
JIS

END CONNECTIONS: RF / RTJ

STANDARDS: EN10204 2.1

FINISH: None as welded

NDT: PMI on request



Dimensions approx (mm)

NB	A1 150 RF	A1 300 RF	A1 600 RF	A2	~Weight KG
1"/25mm	63	69	69	22	0.2
1½"/40mm	79	88	88	31	0.2
2"/50mm	98	104	104	44	0.2
3"/80mm	130	142	142	67	0.4
4"/100mm	168	174	187	88	0.6
6"/150mm	215	244	260	139	1.1
8"/200mm	273	301	314	181	2.0
10"/250mm	333	355	393	228	2.7
12"/300mm	403	415	450	276	3.6
14"/350mm	444	479	485	320	4.5
16"/400mm	508	533	558	368	5.4
18"/450mm	542	590	606	415	6.8
20"/500mm	600	647	676	466	9.0
24"/600mm	711	768	784	568	12.2

NOTES

- Standard screen – 3 mm perf. (Mesh overlay available on request)
- Screen handle/indent tab will be stamped to indicate size, rating & tag no where applicable
- Rings are as rolled un-machined as standard. (Machined rings available on request)
- A1** dimensions for other flange rating available on request
- Screens are not pressure retaining items and should not be exposed to a differential pressure in excess of 0.5 Bar G without our consent.
- Manufactured in the UK - Materials from UK stockists / world wide source

Materials of construction

ITEM	STAINLESS STEEL
1/2 SCREEN (FABRICATED)	304/L 316/L
3 RING	304/L 316/L

NOTES

- Other materials such 316LSS, **Monel, Hastelloy, Inconel, Duplex & Super Duplex stainless steels** and other special alloys available on request
- Connections to suit Higher pressure units available on request

All data is subject to confirmation at the time of order. Our policy is one of continual improvement and we reserve the right to amend details without prior notice. This datasheet, its concept, design and "copyright" are the property of Kaysafe Engineering Limited and cannot be legally copied or reproduced without the written authority of said Company.