

**KAYSAFE ENGINEERING LTD**

12 Linkfield Corner,  
Redhill.  
Surrey, RH1 1BB  
UNITED KINGDOM



Tel :00 44 (0) 1737 772210  
Fax:00 44 (0) 1737 771200  
[www.kaysafe.co.uk](http://www.kaysafe.co.uk)

e-mail – [sales@kaysafe.co.uk](mailto:sales@kaysafe.co.uk)

**DATA SHEET 25 – FIG FY701 150/300 Y STRAINER**

**SIZES:** 2" to 24" NB

**PRESSURE:** ANSI CLASS 150/300

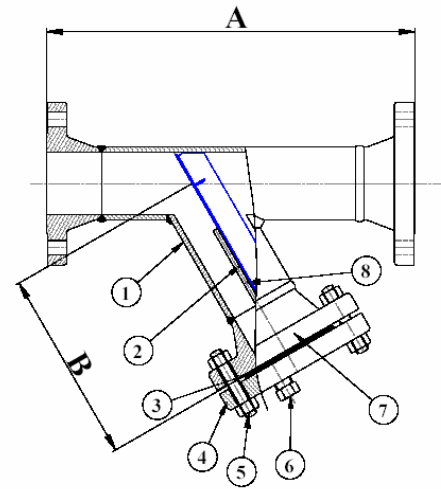
**END CONNECTIONS:** RF / RTJ / BW

**STANDARDS:** ASME B31.3 / B16.5 / 16.25 / 16.20

**CERTIFICATION:** BSEN 10204 3.1/2.1/NACE  
(Pressure containing/Balance materials)  
(PED 2014/68/EU (CE marked where applicable)  
(Formerly 97/23/EC) On request)

**NDT:** Hydro test only on RF  
(X Ray only on BWE - MPI/DPI/PMI on request)

**FINISH:** None as welded  
(Special paint finish or lining available on request)

**Dimensions approx (mm)**

NB	A			B	KG		
	BW	150RF	300RF		BW	150RF	300RF
2"	290	417	430	210	15	19	26
3"	380	520	539	270	20	28	39
4"	420	572	591	300	30	42	62
6"	520	698	717	420	60	74	114
8"	610	813	832	500	100	121	180
10"	740	943	975	560	150	177	263
12"	820	1049	1080	670	210	260	377
14"	860	1134	1166	730	320	330	536
16"	980	1234	1272	850	360	440	660
18"	1030	1309	1347	940	500	550	850
20"	1120	1409	1444	1000	610	700	1110
24"	1320	1625	1657	1180	750	1000	1400

**NOTES**

1. Drain plug –3/4" NPT. Flanged or SW drain available on request
2. Standard screen – 3 mm perf. Mesh & Perf changes available on request
3. Screens are not pressure retaining items and should not be exposed to a differential pressure in excess of 0.5 Bar G without our consent.
4. Manufactured in the UK - Materials from UK stockists / world wide source

**Materials of construction**

ITEM		CARBON STEEL	STAINLESS STEEL
1	BODY (FABRICATED)	API 5L / A106	ASTM A 312 Gr 316L SS
2	SCREEN	304SS	316SS
3	COVER GASKET	CNAF	CNAF
4/7	FLANGES	ASTM A105N	ASTM A182 F316L SS
5	BOLTING	B7 / 2H	B8 / Gr 8
6	DRAIN PLUG	ASTM A105N	ASTM A182 F316L SS
8	GUIDE RODS	CB.S	316SS

**NOTES**

1. Alternative Materials such 304LSS, LTC.S, Monel, Hastelloy, F51 Duplex, F53 Super Duplex etc.
2. Special gaskets / bolting available on request
3. Available Butt-weld ends and flanged on request.
4. High pressure units available on request
5. Materials to NACE MR-0175 where applicable and requested
6. Special gaskets / bolting available on request
7. High pressure special units to Class 600, 900, 1500 & 2500
8. Nozzle loads not included, pipe work to be self-supporting.

All data is subject to confirmation at the time of order. Our policy is one of continual improvement and we reserve the right to amend details without prior notice. This datasheet, its concept, design and "copyright" are the property of Kaysafe Engineering Limited and cannot be legally copied or reproduced without the written authority of said Company.