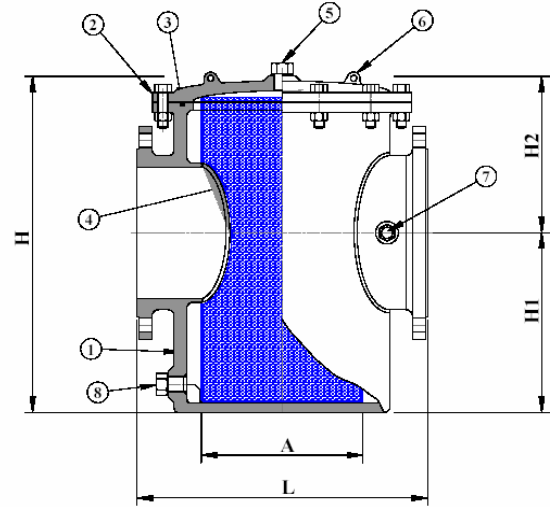




DATA SHEET 22 – FIG 97 PN10/16 BASKET STRAINER

SIZES: DN 80 to DN 1000 NB
PRESSURE: DIN PN10 / 16
END CONNECTIONS: RF
CERTIFICATION: EN10204 2.1
FINISH: Fusion Bonded Epoxy Coated Internal & External – WRAS approved.
NDT: Hydro test as standard



Dimensions approx (mm)

NB	L	H	H1	H2	Drain BSP	Vent BSP	DP BSP	Cover bolting	Kg
80	280	331	155	176	1/2"	1/2"	1/2"	4 x M16	25
100	330	355	170	185	3/4"	3/4"	3/4"	4 x M16	48
150	390	458	223	235	3/4"	3/4"	3/4"	8 x M16	75
200	460	580	294	286	3/4"	3/4"	3/4"	8 x M16	125
250	530	684	363	321	3/4"	3/4"	3/4"	12 x M16	185
300	630	732	350	382	3/4"	3/4"	3/4"	16 x M16	290
350	690	828	417	411	3/4"	3/4"	3/4"	16 x M16	450
400	750	918	499	419	1"	1"	1"	16 x M20	500
450	810	969	540	429	1"	1"	1"	20 x M20	650
500	880	1103	600	503	1"	1"	1"	20 x M20	760
600	1000	1368	760	608	1"	1"	1"	24 x M20	980
700	1130	1530	740	790	1"	1"	1"	24 x M20	1450
800	1250	1673	810	863	1"	1"	1"	24 x M20	1700
900	1380	1930	940	990	1"	1"	1"	28 x M24	2100
1000	1500	2215	1075	1140	1"	1"	1"	32 x M24	2600

NOTES

- All PN10 units will be supplied with PN16 flanges drilled to PN10.
- PN25/40 & ANSI Flange (drilling on DIN Flanges) available on request
- Standard screen – 3mm perf only
- Screens are not pressure retaining items and should not be exposed to a differential pressure in excess of 0.5 Bar G without our consent.

Materials of construction

ITEM	DUCTILE IRON
1 BODY (CAST)	GGG50
2 BOLTING	A4 – Stainless steel / Galv HT Steel
3 COVER GASKET	EPDM O ring
4 SCREEN	304 / 316SS
5/7/8 PLUG	316 SS
6 COVER (CAST)	GGG50

NOTES

- Other simplex and duplex type basket strainers are available on request.