



DATA SHEET 29A – FIG TC704 CONICAL (WITCHES HAT) STRAINER

SIZES: 40mm to 1600mm

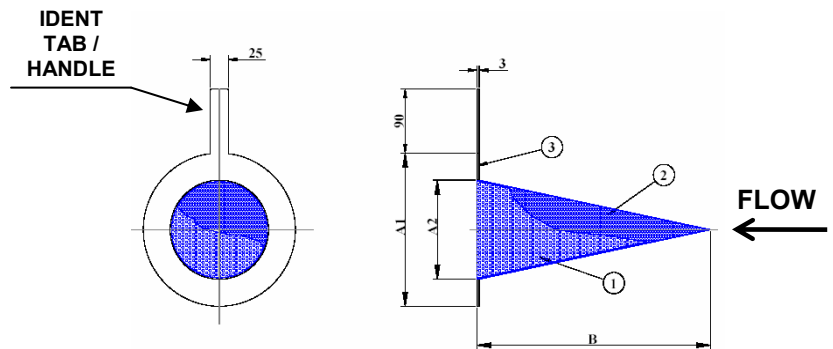
TO SUIT FLANGES TO: BS4504/DIN
PN10/16/25/40

END CONNECTIONS: RF

STANDARDS: EN10204 2.1
Letter of conformity

FINISH: None as welded

NDT: None



Dimensions approx (mm)

NB	A1 PN10	A1 PN16	A1 PN25	A1 PN40	A2	B Short pattern	Weight KG 150%
1½"/40mm	90	90	90	90	30	105	0.2
2"/50mm	105	105	105	105	40	120	0.2
3"/80mm	140	140	140	140	66	165	0.4
4"/100mm	160	162	165	165	88	215	0.6
6"/150mm	215	215	221	221	139	320	1.1
8"/200mm	271	271	281	288	181	390	2.0
10"/250mm	324	325	338	349	228	480	2.7
12"/300mm	374	381	398	414	276	580	3.6
14"/350mm	434	441	454	470	320	650	4.5
16"/400mm	486	493	510	541	368	750	5.4
18"/450mm	536	553	560	566	415	850	6.8
20"/500mm	590	614	620	622	466	950	9.0
24"/600mm	690	730	726	741	568	1130	12.2
28" 700mm	805	800	827	846	656	1320	25
32" 800mm	911	906	936	967	750	1490	45
36" 900mm	1011	1006	1036	1077	870	1710	60
40" 1000mm	1117	1122	1147	1187	960	1890	100
48" 1200mm	1336	1336	1357	1389	1160	2230	130
56" 1400mm	1542	1536	1569	1609	1360	2650	150
64" 1600mm	1766	1757	1789	1823	1505	4000	200

NOTES

- Standard screen – 3 mm perf. (Mesh overlay available on request) Dim **B** based on 3mm perf & sch 80 pipe.
- Alternative length **B** available on request or to suit process conditions
- Standard flow direction is from outside of cone to in.
- Screen handle/Ident tab will be stamped to indicate size, rating & tag no where applicable
- Rings are as rolled un-machined as standard. (Machined rings available on request)
- Ring thickness. 300mm and below – 3mm, 350mm to 600mm – 5mm, 650mm and above – 6mm
- Internal strengtheners dependant on process conditions & specific project requirements
- Screens are not pressure retaining items and should not be exposed to a differential pressure in excess of 0.5 Bar G without our consent.
- Manufactured in the UK - Materials from UK stockists / world wide source

Materials of construction

ITEM	STAINLESS STEEL
1/2 CONE (FABRICATED) / MESH	304 316
3 RING/TAB	304 316

NOTES

- Other materials such 316LSS, **Monel, Hastelloy, Inconel, Duplex & Super Duplex stainless steels** and other special alloys available on request
- High pressure units available on request