

**KAYSAFE ENGINEERING LTD**

12 Linkfield Corner,  
Redhill.  
Surrey, RH1 1BB  
UNITED KINGDOM



Tel :00 44 (0) 1737 772210  
Fax:00 44 (0) 1737 771200  
[www.kaysafe.co.uk](http://www.kaysafe.co.uk)

e-mail – [sales@kaysafe.co.uk](mailto:sales@kaysafe.co.uk)

**DATA SHEET 24 – FIG F185FTX 150 BASKET STRAINER**

**SIZES:** 3" to 10" NB

**PRESSURE:** ANSI CLASS 150

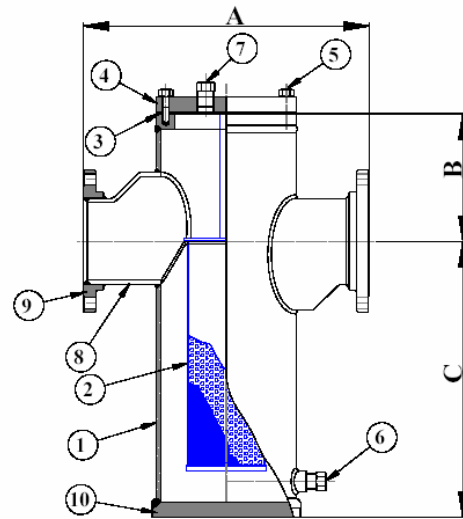
**END CONNECTIONS:** RF

**STANDARDS:** ASME B31.3 / B16.5 / 16.25 / 16.20  
(ASME V111 or BS5500 on request)

**CERTIFICATION:** BSEN 10204 3.1/2.1  
(Pressure containing/Balance materials)  
(PED 2014/68/EU / CE marked where applicable,  
on request)

**NDT:** Hydro test only on RF  
(MPI/DPI/PMI on request)

**FINISH:** One coat Zinc primer  
(Special paint finish or lining available on request)

**Dimensions approx (mm)**

NB	A	B	C	Drain	KG
3"	375	195	260	1"	50
4"	490	225	305	1"	63
6"	540	280	540	1"	115
8"	630	320	600	1"	160
10"	820	360	680	1"	250

**NOTES**

1. Drain/Vent/DP plug – Threaded NPT. (Flanged or SW drain available on request)
2. Standard basket – 3 mm perf. (Mesh & Perf changes available on request)
3. Baskets are not pressure retaining items and should not be exposed to a differential pressure in excess of 0.5 Bar G without our consent.
4. Manufactured in the UK - Materials from UK stockists / world wide source

**Materials of construction**

ITEM		CARBON STEEL	STAINLESS STEEL
1/8	BODY (FABRICATED)	API 5L / A106	ASTM A312 Gr 316/L
2	SCREEN	304SS	316SS
3	COVER GASKET	CNAF	CNAF
4/10	TOP COVER / BASE	MILD STEEL	316L SS
9	FLANGES	ASTM A105N	ASTM A182 F316/L
5	BOLTING	B7 / 2H	B8 / Gr 8
6/7	DRAIN/VENT PLUG	ASTM A105N	ASTM A182 F316/L

**NOTES**

1. Alternative Materials such 304LSS, LTC.S, Monel, Hastelloy, F51 Duplex, F53 Super Duplex etc.
2. Materials to NACE MR-0175 where applicable and requested
3. Special gaskets / bolting available on request
4. Nozzle loads not included, pipe work to be self-supporting.

All data is subject to confirmation at the time of order. Our policy is one of continual improvement and we reserve the right to amend details without prior notice. This datasheet, its concept, design and "copyright" are the property of Kaysafe Engineering Limited and cannot be legally copied or reproduced without the written authority of said Company.