

KAYSAFE ENGINEERING LTD

Lawson Street
North Shields.
Newcastle, NE29 6TG
UNITED KINGDOM



Tel :00 44 (0) 1737 772210
Tel: (alt):00 44 (0) 191 259181
www.kaysafe.co.uk

e-mail – sales@kaysafe.co.uk

DATA SHEET 23a – FIG F187 600 BASKET STRAINER

SIZES: 3" to 12" NB

PRESSURE: ANSI CLASS 600

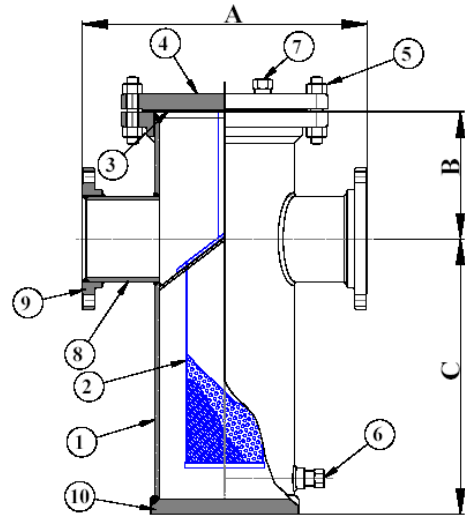
END CONNECTIONS: RF / RTJ / BW

STANDARDS: ASME B31.3 / B16.5 / 16.25 / 16.20
(Construction to ASME V111/ BS5500/ (PED 2014/68/EU / CE marked where applicable on request))

CERTIFICATION: BSEN 10204 3.1/2.1
(Pressure containing/Balance materials)

NDT: Hydro test only on RF
(Additional X-ray/MPI/DPI/PMI on request)

FINISH (Internal/External): None as welded
(Special paint finish or lining available on request)



Dimensions approx (mm)

NB	A +/- 3mm	B +/- 3mm	C +/- 3mm	Drain	Vent	~KG RF
3"	440	542	357	1/2"	1/4"	73
4"	540	651	442	1/2"	1/4"	145
6"	800	794	650	1"	1/4"	400
8"	970	1127	829	1"	1/4"	820
10"	1090	1326	993	1"	1/4"	1180
12"	1221	1565	1190	1"	1/4"	1685

NOTES

5. Drain/Vent/DP plug – Threaded NPT. (Flanged or SW drain available on request)
6. Standard basket – 3 mm perf. (Mesh & Perf changes available on request)
7. Baskets are not pressure retaining items and should not be exposed to a differential pressure in excess of 0.5 Bar G without our consent.
8. Manufactured in the UK - Materials from UK stockists / world wide source

Materials of construction

ITEM		CARBON STEEL	STAINLESS STEEL
1/8/10	BODY (FABRICATED)	ASTM API 5L / A106 Gr B	ASTM A312 Gr 316/L
2	SCREEN	304 st.st.	316 st.st.
3	COVER GASKET	CNAF/316 spwnd + Graphite	CNAF/316 spwnd + Graphite
4/9	FLANGES	ASTM A105N	ASTM A182 F316/L
5	BOLTING	ASTM A193 B7 / A194 Gr.2H	ASTM A193 B8 / A194 Gr. 8
6/7	DRAIN/VENT PLUG	ASTM A105N	ASTM A182 F316/L

EXTRA ON REQUEST

7. Alternative Materials such 304LSS, LTC.S, Monel, Hastelloy, F51 Duplex, F53 Super Duplex etc.
8. Materials to NACE MR-0175 where applicable and requested
9. Special gaskets / bolting
10. Also available with dished end, weld neck flanges, and QRC cover.
11. High pressure special units to Class 600, 900, 1500 & 2500
12. Nozzle loads not included, pipe work to be self-supporting.

All data is subject to confirmation at the time of order. Our policy is one of continual improvement and we reserve the right to amend details without prior notice. This datasheet, its concept, design and "copyright" are the property of Kaysafe Engineering Limited and cannot be legally copied or reproduced without the written authority of said Company.