

KAYSAFE ENGINEERING LTD

12 Linkfield Corner,
Redhill.
Surrey, RH1 1BB
UNITED KINGDOM



Tel :00 44 (0) 1737 772210
Fax:00 44 (0) 1737 771200
www.kaysafe.co.uk

e-mail – sales@kaysafe.co.uk

DATA SHEET 23 – FIG F185-6 150 & 300 BASKET STRAINER

SIZES: 2" to 36" NB

PRESSURE: ANSI CLASS 150/300

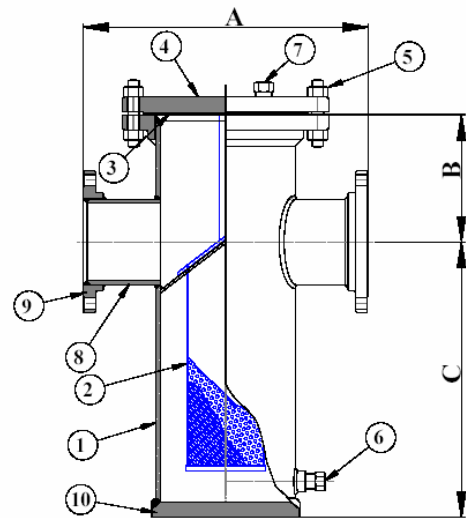
END CONNECTIONS: RF / RTJ / BW

STANDARDS: ASME B31.3 / B16.5 / 16.25 / 16.20
(Construction to ASME V111/ BS5500/ PED
2014/68/EU / CE marked where applicable, on
request)

CERTIFICATION: BSEN 10204 3.1/2.1
(Pressure containing/Balance materials)

NDT: Hydro test only on RF
Radiography only when BWE
(Additional X-ray/MPI/DPI/PMI on request)

**FINISH
(Internal/External):** None as welded
(Special paint finish or lining available on request)

**Dimensions approx (mm)**

NB	A +/- 3mm	B +/- 3mm	C +/- 3mm	Drain	KG RF	NB	A +/- 3mm	B +/- 3mm	C +/- 3mm	Drain	KG RF
3"	410	190	325	1"	60	14"	1000	400	825	1½"	550
4"	475	220	350	1"	80	16"	1150	450	900	1½"	750
6"	570	260	425	1"	100	18"	1200	460	975	2"	800
8"	620	300	550	1"	200	20"	1300	530	1100	2"	900
10"	820	360	625	1½"	300	24"	1500	625	1250	2"	1200
12"	900	380	700	1½"	400	36"	2200	950	1750	2"	2000

NOTES

1. Drain/Vent/DP plug – Threaded NPT. (Flanged or SW drain available on request)
2. Standard basket – 3 mm perf. (Mesh & Perf changes available on request)
3. Baskets are not pressure retaining items and should not be exposed to a differential pressure in excess of 0.5 Bar G without our consent.
4. Manufactured in the UK - Materials from UK stockists / world wide source

Materials of construction

ITEM		CARBON STEEL	STAINLESS STEEL
1/8/10	BODY (FABRICATED)	ASTM API 5L / A106 Gr B	ASTM A312 Gr 316/L
2	SCREEN	304 st.st.	316 st.st.
3	COVER GASKET	CNAF/316 spwnd + Graphite	CNAF/316 spwnd + Graphite
4/9	FLANGES	ASTM A105N	ASTM A182 F316/L
5	BOLTING	ASTM A193 B7 / A194 Gr.2H	ASTM A193 B8 / A194 Gr. 8
6/7	DRAIN/VENT PLUG	ASTM A105N	ASTM A182 F316/L

EXTRA ON REQUEST

1. Alternative Materials such 304LSS, LTC.S, Monel, Hastelloy, F51 Duplex, F53 Super Duplex etc.
2. Materials to NACE MR-0175 where applicable and requested
3. Special gaskets / bolting
4. Also available with dished end, weld neck flanges, and QRC cover.
5. High pressure special units to Class 600, 900, 1500 & 2500
6. Nozzle loads not included, pipe work to be self-supporting.

All data is subject to confirmation at the time of order. Our policy is one of continual improvement and we reserve the right to amend details without prior notice.
This datasheet, its concept, design and "copyright" are the property of Kaysafe Engineering Limited and cannot be legally copied or reproduced without the written authority of said Company.