

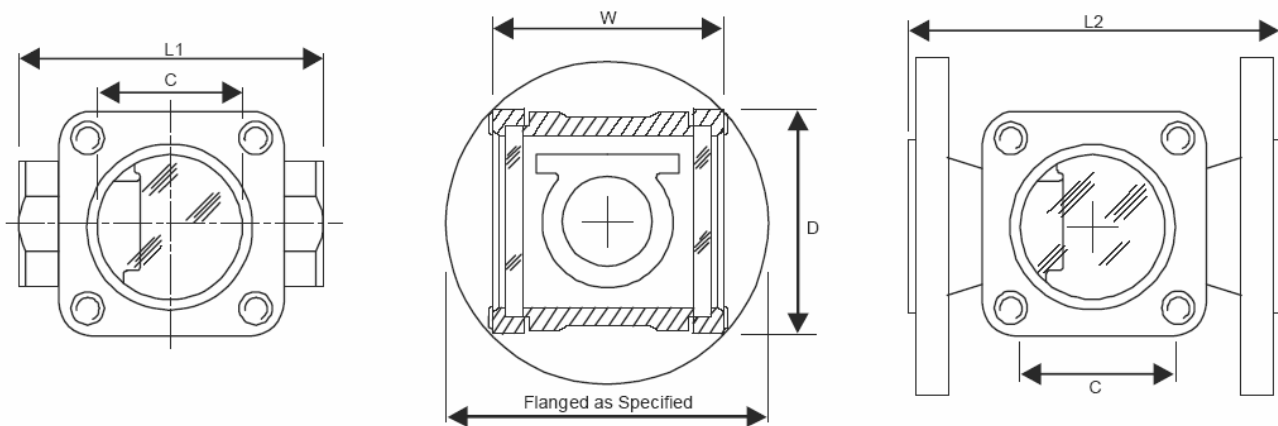


DATA SHEET 104 – Style P Sight Flow Indicator

SIZES: 15mm to 200mm NB
PRESSURE: Up to 60 bar g
END CONNECTIONS: RF / Threaded
FINISH: Standard primer on Carbon steel - None on S/S - Special paint finish available on request
NDT: Hydro test as standard – API 598 (X Ray / MPI / DPI / PMI available on request)
CERTIFICATION EN10204 3.1 (3.2 on request) - PED97/23/EC (CE marked/compliant)

Materials of Construction:

Body: ASTM A216 WCB/A350 LCC & A351 CF8M
Covers: (Standard) - Stainless steel ASTM A351 CF8M - Powder coated mild steel grade S355J2+N
Internal Gasket: PTFE
External Gasket: Klingsil C4400
Edge Protector: Klingsil C4400
Fasteners: (Standard) - A2 Stainless steel - (High Pressure) - High tensile steel



Dimensions approx (mm)

Nominal Bore	Length L1	Length L2	Width W	Depth D	Clearview C
15/20mm	85	130	63	60	42
25mm	95	140	72	66	48
40mm	120	180	102	84	62
50mm	150	220	118	106	77
80mm	N/A	260	160	170	100
100mm	N/A	260	196	170	100
150mm	N/A	360	304	220	150
200mm	N/A	460	370	280	200

NOTES:

Body - stock carbon, 316 stainless steel, but can supply sight glasses in special materials such as super duplex, hastelloy or low carbon steels. For particularly corrosive applications the body can be lined with PFA.
Glass - High pressure toughened soda lime to BS3463 rated to 60 bar, toughened borosilicate to BS3463 or DIN7080 rated up to 16 bar. The high pressure range uses powder coated mild steel covers as standard, though stainless steel covers are available.
Output - A flow switch can be fitted to the indicator to give an alarm if the flow moves above or below a preset value.
Gaskets - Graphite gaskets are available if required.
Fasteners - We can also offer A4 stainless steel fasteners when necessary.

The style P sight glass has a plain spout cast in the body and is used to check for the presence of a liquid where there is intermittent flow, partially filled lines or entrained air. It can be used in vertical or horizontal lines. The integral drip lip makes it ideal for leak detection.

All data is subject to confirmation at the time of order. Our policy is one of continual improvement and we reserve the right to amend details without prior notice. This datasheet, its concept, design and "copyright" are the property of Kaysafe Engineering Limited and cannot be legally copied or reproduced without the written authority of said Company.