

**KAYSAFE ENGINEERING LTD**

12 Linkfield Corner,  
Redhill,  
Surrey, RH1 1BB  
UNITED KINGDOM



Tel :00 44 (0) 1737 772210  
Fax:00 44 (0) 1737 771200  
[www.kaysafe.co.uk](http://www.kaysafe.co.uk)  
e-mail – sales@kaysafe.co.uk

**DATA SHEET: 26 – FIG TC704 CONICAL (WITCHES HAT) STRAINER**

**SIZES:** 1" to 36" NB Larger on request

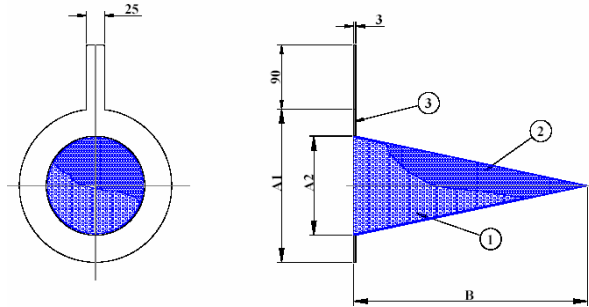
**TO SUIT FLANGES TO:** ANSI B16.5  
BS4504/DIN  
BS10  
JIS

**END CONNECTIONS:** RF / RTJ

**STANDARDS:** EN10204 2.2

**FINISH:** None as welded

**NDT:** PMI on request

**Dimensions approx (mm)**

NB	A1 150 RF	A1 300 RF	A1 600 RF	A2	B 150%	B200%	Weight KG 150%	Weight KG 200%
1"/25mm	63	69	69	22	38	50	0.2	0.2
1½"/40mm	79	88	88	31	101	139	0.2	0.2
2"/50mm	98	104	104	44	114	152	0.2	0.2
3"/80mm	130	142	142	67	165	228	0.4	0.4
4"/100mm	168	174	187	88	215	292	0.6	0.7
6"/150mm	215	244	260	139	330	431	1.1	1.5
8"/200mm	273	301	314	181	431	584	2.0	2.7
10"/250mm	333	355	393	228	533	685	2.7	3.4
12"/300mm	403	415	450	276	635	825	3.6	4.9
14"/350mm	444	479	485	320	660	889	4.5	5.4
16"/400mm	508	533	558	368	749	990	5.4	7.2
18"/450mm	542	590	606	415	838	1117	6.8	9.5
20"/500mm	600	647	676	466	939	1244	9.0	11.7
24"/600mm	711	768	784	568	1117	1473	12.2	16.3
36"/900mm	1040	1110	1120	840	1830	2435	30	40

**NOTES**

- 1) Standard screen – 3 mm perf. Mesh overlay available on request
- 2) Standard flow direction is from outside of cone to in.
- 3) A1 dimensions for other flange rating available on request
- 4) Screens are not pressure retaining items and should not be exposed to a differential pressure in excess of 0.5 Bar G without our consent.

**Materials of construction**

ITEM	<u>STAINLESS STEEL</u>		
1/2	<b>CONE (FABRICATED)</b>	304/L	316/L
3	<b>RING</b>	304/L	316/L

**NOTES**

- 1) Other materials such 316LSS, Monel, Hastelloy, and Duplex and special alloys available on request
- 2) High pressure units available on request
- 3) Rings are as rolled un-machined as standard. Machined rings available on request
- 4) Flow is from outside to inside from right to left for the drawing above.

**All data is subject to confirmation at the time of order. Our policy is one of continual improvement and we reserve the right to amend details without prior notice.**