

KAYSAFE ENGINEERING LTD

12 Linkfield Corner,
Redhill,
Surrey, RH1 1BB
UNITED KINGDOM



Tel :00 44 (0) 1737 772210
Fax:00 44 (0) 1737 771200
www.kaysafe.co.uk
e-mail – sales@kaysafe.co.uk

DATA SHEET: 25 – FIG FT702 600 T STRAINER

SIZES: 2" to 36" NB

PRESSURE: ANSI CLASS 600

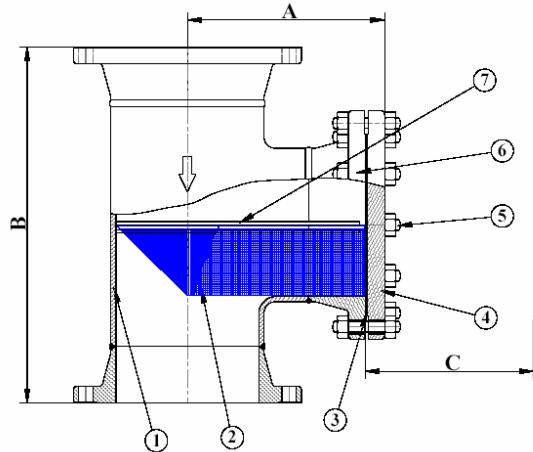
END CONNECTIONS: RF / RTJ / BW

STANDARDS: ASME B31.3
ASME V111 or BS5500 on request

CERTIFICATION: EN10204 3.1.B / NACE
PED 97/23/EC (On request)

NDT: Hydro test only on RF
X Ray only as on BW
MPI/DPI/PMI on request

FINISH: None as welded
Special paint finish or lining available on request

**Dimensions approx (mm)**

NB	A	B - BW	B - RF	C	KG BW	KG RF
2"	159	127	267	188	13	20
3"	197	172	331	238	23	37
4"	225	210	382	275	38	62
6"	280	286	483	355	71	111
8"	333	356	578	432	109	171
10"	384	432	667	531	181	269
12"	438	508	768	587	256	420
14"	480	560	846	655	354	530
16"	511	610	902	714	449	675
18"	565	686	1004	790	553	821
20"	609	762	1086	859	888	1038
24"	673	864	1201	973	982	1458

NOTES

- 1) Drain plug – None as standard, NPT/SW/RF on request
- 2) Standard screen – 3 mm perf. Mesh lined available on request
- 3) Screens are not pressure retaining items and should not be exposed to a differential pressure in excess of 0.5 Bar G without our consent.

Materials of construction

ITEM		CARBON STEEL	STAINLESS STEEL
1/6	BODY (FABRICATED)	ASTM A234 WPB / A105N	ASTM A 312 Gr 316L SS
2	SCREEN	304SS	316SS
3	COVER GASKET	CNAF	CNAF
4	COVER	ASTM A105N	ASTM A182 F316L SS
5	BOLTING	B7 / 2H	B8 / Gr 8
7	GUIDE ROD	CB/S	316SS
8	DRAIN PLUG (When fitted)	ASTM A105N	ASTM A182 F316L SS

NOTES

- 1) Other materials such 304LSS, LTC.S, and special alloys available on request
- 2) Special gaskets / bolting available on request
- 3) Slip on flanges and bolted cover as standard. Available weld neck flanges on request.
- 4) High pressure units available on request

All data is subject to confirmation at the time of order. Our policy is one of continual improvement and we reserve the right to amend details without prior notice.