

**KAYSAFE ENGINEERING LTD**

12 Linkfield Corner,  
Redhill,  
Surrey, RH1 1BB  
UNITED KINGDOM



Tel :00 44 (0) 1737 772210  
Fax:00 44 (0) 1737 771200  
[www.kaysafe.co.uk](http://www.kaysafe.co.uk)  
e-mail – [sales@kaysafe.co.uk](mailto:sales@kaysafe.co.uk)

**DATA SHEET: 23 – FIG FT702 150 T STRAINER**

**SIZES:** 2" to 36" NB

**PRESSURE:** ANSI CLASS 150

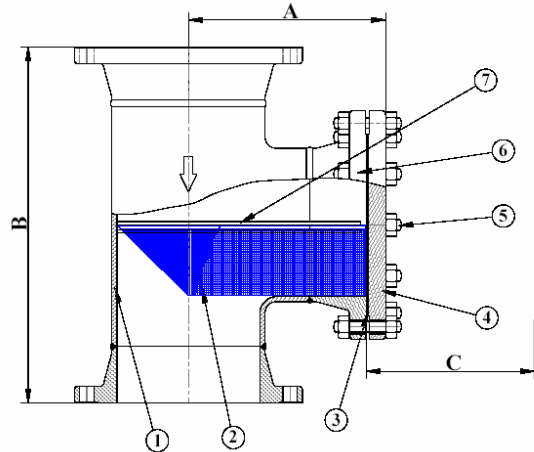
**END CONNECTIONS:** RF / RTJ / BW

**STANDARDS:** ASME B31.3  
ASME V111 or BS5500 on request

**CERTIFICATION:** EN10204 3.1.B / NACE  
PED 97/23/EC (On request)

**NDT:** Hydro test only on RF  
X Ray only as on BW  
MPI/DPI/PMI on request

**FINISH:** None as welded  
Special paint finish or lining available on request

**Dimensions approx (mm)**

NB	A	B - BW	B - RF	C	KG BW	KG RF
2"	148	127	254	170	9	15
3"	182	172	312	220	16	26
4"	207	210	363	250	24	38
6"	260	286	464	330	43	65
8"	310	356	559	360	71	107
10"	351	432	635	470	111	161
12"	403	508	737	550	161	239
14"	445	560	814	640	222	324
16"	472	610	864	670	273	393
18"	526	686	966	750	332	474
20"	572	762	1051	820	422	598
24"	635	864	1169	930	600	838
30"	744	1118	1379	1065	1020	1350
36"	870	1346	1619	1260	1530	2010

**NOTES**

- 1) Drain plug – None as standard, NPT/SW/RF on request
- 2) Standard screen – 3 mm perf. Mesh lined available on request
- 3) Screens are not pressure retaining items and should not be exposed to a differential pressure in excess of 0.5 Bar G without our consent.

**Materials of construction**

ITEM		CARBON STEEL	STAINLESS STEEL
1/6	BODY (FABRICATED)	ASTM A234 WPB / A105N	ASTM A 312 Gr 316L SS
2	SCREEN	304SS	316SS
3	COVER GASKET	CNAF	CNAF
4	COVER	ASTM A105N	ASTM A182 F316L SS
5	BOLTING	B7 / 2H	B8 / Gr 8
7	GUIDE ROD	CB/S	316SS
8	DRAIN PLUG (When fitted)	ASTM A105N	ASTM A182 F316L SS

**NOTES**

- 1) Other materials such 304LSS, LTC.S, and special alloys available on request
- 2) Special gaskets / bolting available on request
- 3) Slip on flanges and bolted cover as standard. Available weld neck flanges on request.
- 4) High pressure units available on request

**All data is subject to confirmation at the time of order. Our policy is one of continual improvement and we reserve the right to amend details without prior notice.**