

KAYSAFE ENGINEERING LTD

12 Linkfield Corner,
Redhill,
Surrey, RH1 1BB
UNITED KINGDOM



Tel :00 44 (0) 1737 772210
Fax:00 44 (0) 1737 771200
www.kaysafe.co.uk
e-mail – sales@kaysafe.co.uk

DATA SHEET: 22 – FIG FY701 150/300 Y STRAINER

SIZES: 2" to 24" NB

PRESSURE: ANSI CLASS 150/300

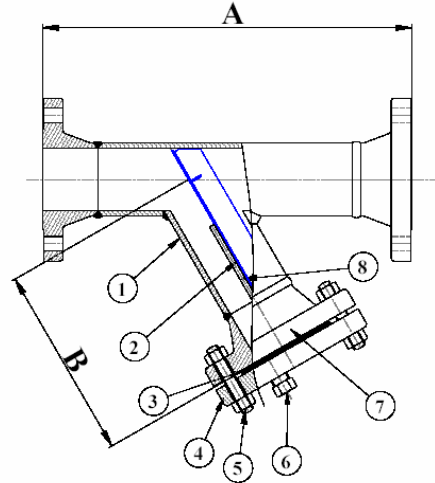
END CONNECTIONS: RF / RTJ / BW

STANDARDS: ASME B31.3
ASME V111 or BS5500 on request

CERTIFICATION: EN10204 3.1.B / NACE
PED 97/23/EC (On request)

NDT: Hydro test only on RF
X Ray only as on BW
MPI/DPI/PMI on request

FINISH: None as welded
Special paint finish or lining available on request

**Dimensions approx (mm)**

| NB | A | | | B | KG | | |
|-----|------|-------|-------|------|-----|-------|-------|
| | BW | 150RF | 300RF | | BW | 150RF | 300RF |
| 2" | 290 | 417 | 430 | 210 | 15 | 19 | 26 |
| 3" | 380 | 520 | 539 | 270 | 20 | 28 | 39 |
| 4" | 420 | 572 | 591 | 300 | 30 | 42 | 62 |
| 6" | 520 | 698 | 717 | 420 | 60 | 74 | 114 |
| 8" | 610 | 813 | 832 | 500 | 100 | 121 | 180 |
| 10" | 740 | 943 | 975 | 560 | 150 | 177 | 263 |
| 12" | 820 | 1049 | 1080 | 670 | 210 | 260 | 377 |
| 14" | 860 | 1134 | 1166 | 730 | 320 | 330 | 536 |
| 16" | 980 | 1234 | 1272 | 850 | 360 | 440 | 660 |
| 18" | 1030 | 1309 | 1347 | 940 | 500 | 550 | 850 |
| 20" | 1120 | 1409 | 1444 | 1000 | 610 | 700 | 1110 |
| 24" | 1320 | 1625 | 1657 | 1180 | 750 | 1000 | 1400 |

NOTES

- 1) Drain plug –3/4" NPT. Flanged or SW drain available on request
- 2) Standard screen – 3 mm perf. Mesh lined available on request
- 3) Screens are not pressure retaining items and should not be exposed to a differential pressure in excess of 0.5 Bar G without our consent.

Materials of construction

| ITEM | CARBON STEEL | STAINLESS STEEL |
|---------------------|---------------|-----------------------|
| 1 BODY (FABRICATED) | API 5L / A106 | ASTM A 312 Gr 316L SS |
| 2 SCREEN | 304SS | 316SS |
| 3 COVER GASKET | CNAF | CNAF |
| 4/7 FLANGES | ASTM A105N | ASTM A182 F316L SS |
| 5 BOLTING | B7 / 2H | B8 / Gr 8 |
| 6 DRAIN PLUG | ASTM A105N | ASTM A182 F316L SS |
| 8 GUIDE RODS | CB.S | 316SS |

NOTES

- 1) Other materials such 304LSS, LTC.S, and special alloys available on request
- 2) Special gaskets / bolting available on request
- 3) Slip on flanges and bolted cover as standard. Available weld neck flanges on request.
- 4) High pressure units available on request

All data is subject to confirmation at the time of order. Our policy is one of continual improvement and we reserve the right to amend details without prior notice.