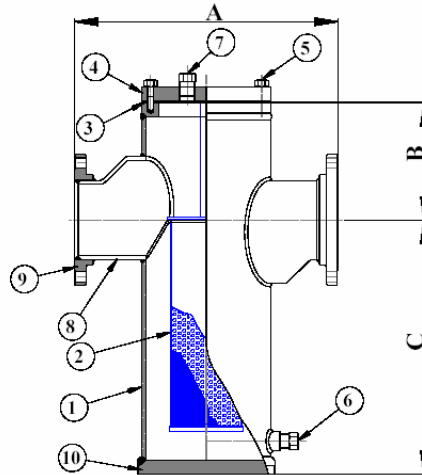




**DATA SHEET: 21 – FIG F185FTX 150 BASKET STRAINER**

**SIZES:** 2" to 36" NB  
**PRESSURE:** ANSI CLASS 150/300  
**END CONNECTIONS:** RF / RTJ / BW  
**STANDARDS:** ASME B31.3  
 ASME V111 or BS5500 on request  
**CERTIFICATION:** EN10204 3.1.B / NACE  
 PED97/23/EC on request  
**NDT:** Hydro test only on RF  
 X Ray only as on BW  
 MPI/DPI/PMI on request  
**FINISH:** None as welded  
 Special paint finish or lining available on request



**Dimensions approx (mm)**

NB	A	B	C	Drain	KG
3"	375	195	260	1"	50
4"	490	225	305	1"	63
6"	540	280	540	1"	115
8"	630	320	600	1"	160
10"	730	360	680	1"	250

**NOTES**

- 1) Drain plug –NPT. Flanged or SW drain available on request
- 2) Standard basket – 3 mm perf. Mesh lined available on request
- 3) Baskets are not pressure retaining items and should not be exposed to a differential pressure in excess of 0.5 Bar G without our consent.

**Materials of construction**

ITEM		CARBON STEEL	STAINLESS STEEL
1/8	BODY (FABRICATED)	API 5L / A106	ASTM A312 Gr 316/L
2	SCREEN	304SS	316SS
3	COVER GASKET	CNAF	CNAF
4/10	TOP COVER / BASE	MILD STEEL	316L SS
9	FLANGES	ASTM A105N	ASTM A182 F316/L
5	BOLTING	B7 / 2H	B8 / Gr 8
6/7	DRAIN/VENT PLUG	ASTM A105N	ASTM A182 F316/L

**NOTES**

- 1) Other materials such 304LSS, LTC.S, and special alloys available on request
- 2) Special gaskets / bolting available on request
- 3) Flat bottom, slip on flanges and bolted cover as standard. Available with dished end, weld neck flanges, and QRC cover.
- 4) High pressure units available on request

**All data is subject to confirmation at the time of order. Our policy is one of continual improvement and we reserve the right to amend details without prior notice.**