

KAYSAFE ENGINEERING LTD

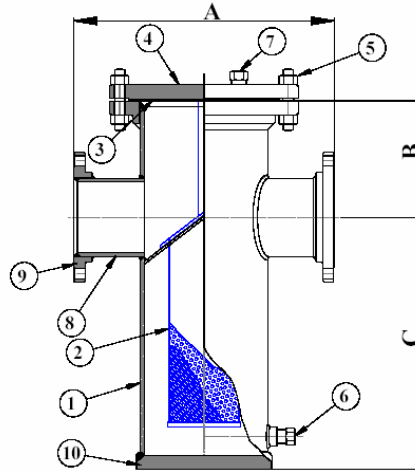
12 Linkfield Corner,
Redhill,
Surrey, RH1 1BB
UNITED KINGDOM



Tel :00 44 (0) 1737 772210
Fax:00 44 (0) 1737 771200
www.kaysafe.co.uk
e-mail – sales@kaysafe.co.uk

DATA SHEET: 20 – FIG F185/6 150 & 300 BASKET STRAINER

SIZES: 2" to 36" NB
PRESSURE: ANSI CLASS 150/300
END CONNECTIONS: RF / RTJ / BW
STANDARDS: ASME B31.3
ASME V111 or BS5500 on request
CERTIFICATION: EN10204 3.1.B / NACE
PED97/23/EC on request
NDT: Hydro test only on RF
X Ray only as on BW
MPI/DPI/PMI on request
FINISH: None as welded
Special paint finish or lining available on request

**Dimensions approx (mm)**

NB	A	B	C	Drain	KG
3"	410	190	325	1"	60
4"	475	220	350	1"	80
6"	570	260	425	1"	100
8"	620	300	550	1"	200
10"	820	360	625	1 1/2"	300
12"	900	380	700	1 1/2"	400
14"	1000	400	825	1 1/2"	550
16"	1150	450	900	1 1/2"	750
18"	1200	460	975	2"	800
20"	1300	530	1100	2"	900
24"	1500	625	1250	2"	1200
36"	2200	950	1750	2"	2000

NOTES

- 1) Drain plug –NPT. Flanged or SW drain available on request
- 2) Standard basket – 3 mm perf. Mesh lined available on request
- 3) Baskets are not pressure retaining items and should not be exposed to a differential pressure in excess of 0.5 Bar G without our consent.

Materials of construction

ITEM		CARBON STEEL	STAINLESS STEEL
1/8/10	BODY (FABRICATED)	API 5L / A106	ASTM A312 Gr 316/L
2	SCREEN	304SS	316SS
3	COVER GASKET	CNAF	CNAF
4/9	FLANGES	ASTM A105N	ASTM A182 F316/L
5	BOLTING	B7 / 2H	B8 / Gr 8
6/7	DRAIN/VENT PLUG	ASTM A105N	ASTM A182 F316/L

NOTES

- 1) Other materials such 304LSS, LTC.S, and special alloys available on request
- 2) Special gaskets / bolting available on request
- 3) Flat bottom, slip on flanges and bolted cover as standard. Available with dished end, weld neck flanges, and QRC cover.
- 4) High pressure units available on request

All data is subject to confirmation at the time of order. Our policy is one of continual improvement and we reserve the right to amend details without prior notice.