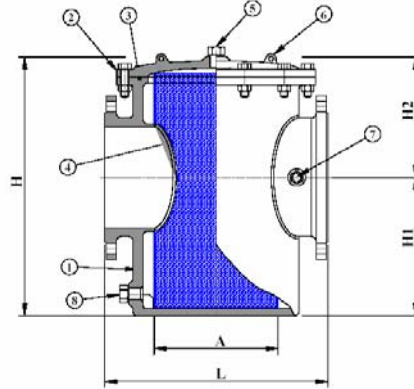




DATA SHEET: 19 – FIG 97 PN10/16/25 BASKET STRAINER

SIZES: 80mm to 1000mm NB
PRESSURE: DIN PN10 / 16 / 25
END CONNECTIONS: RF
CERTIFICATION: EN10204 2.2
FINISH: Fusion Bonded Epoxy Coated Internal & External – WRAS approved.
NDT: Hydro test as standard



Dimensions approx (mm)

NB	L	CLASS PN10/16			Drain BSP	Vent BSP	DP BSP	Cover bolting	Kg
		H	H1	H2					
80	280	331	155	176	1/2"	1/2"	1/2"	4 x M16	25
100	330	355	170	185	3/4"	3/4"	3/4"	4 x M16	48
150	390	458	223	235	3/4"	3/4"	3/4"	8 x M16	75
200	460	580	294	286	3/4"	3/4"	3/4"	8 x M16	125
250	530	684	363	321	3/4"	3/4"	3/4"	12 x M16	185
300	630	732	350	382	3/4"	3/4"	3/4"	16 x M16	290
350	690	828	417	411	3/4"	3/4"	3/4"	16 x M16	450
400	750	918	499	419	1"	1"	1"	16 x M20	500
450	810	969	540	429	1"	1"	1"	20 x M20	650
500	880	1103	600	503	1"	1"	1"	20 x M20	760
600	1000	1368	760	608	1"	1"	1"	24 x M20	980
700	1130	1530	740	790	1"	1"	1"	24 x M20	1450
800	1250	1673	810	863	1"	1"	1"	24 x M20	1700
900	1380	1930	940	990	1"	1"	1"	28 x M24	2100
1000	1500	2215	1075	1140	1"	1"	1"	32 x M24	2600

NOTES

- 1) All PN10 units will be supplied with PN16 flanges drilled. PN10. PN25 available on request
- 2) Standard screen – 3mm perf only
- 3) Screens are not pressure retaining items and should not be exposed to a differential pressure in excess of 0.5 Bar G without our consent.

Materials of construction

ITEM	DUCTILE IRON
1 BODY (CAST)	GGG50
2 BOLTING	A4 – Stainless steel / Galv HT Steel
3 COVER GASKET	EPDM O ring
4 SCREEN	304 / 316SS
5/7/8 PLUG	316 SS
6 COVER (CAST)	GGG50

NOTES

- 1) Other simplex and duplex type basket strainers are available on request.

All data is subject to confirmation at the time of order. Our policy is one of continual improvement and we reserve the right to amend details without prior notice.