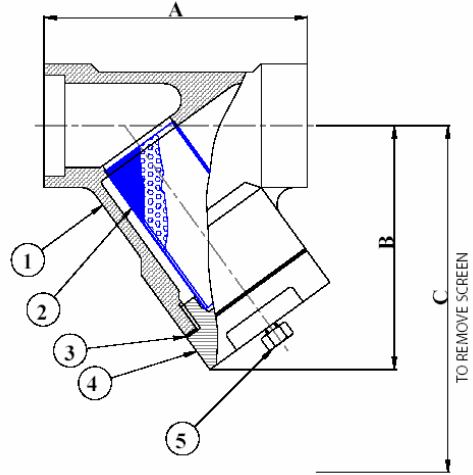




**DATA SHEET: 15 – FIG Y800 Y TYPE STRAINER**

**SIZES:** ½” to 2” NB  
**PRESSURE:** ANSI CLASS 800  
**END CONNECTIONS:** NPT/BSP/SW/BW  
**STANDARDS:** ANSI B16.10.  
**CERTIFICATION:** EN10204 3.1.B (C on request)  
 NACE MR01-75  
 PED97/23/EC (CE marked)  
**NDT:** Hydro test as standard  
 X Ray / MPI/DPI/PMI  
 available on request  
**FINISH:** None, as forged  
 Special paint finish available  
 on request



**Dimensions approx (mm)**

NB	A	B	C	Wt (Kg)
1/2”	90	60	80	0.75
3/4”	110	75	110	1
1”	130	93	150	2
1 1/2”	160	120	200	6
2”	160	150	280	7

**NOTES**

- 1) Drain plug – ¼” NPT on ½” to 1 ½” NB, ½” NPT on 2” NB. Flanged or SW drain available on request
- 2) Standard screen – 0.8 mm perf. Mesh lined available on request
- 3) Screwed covers on ½” to 1 ½” NB, bolted cover on 2” NB.
- 4) Screens are not pressure retaining items and should not be exposed to a differential pressure in excess of 0.5 Bar G without our consent.

**Materials of construction**

ITEM	CARBON STEEL	STAINLESS STEEL
1 BODY (FORGED)	ASTM A105N	ASTM A182 F316/L SS
2 SCREEN	316SS	316SS
3 COVER GASKET	Spiral wound 316SS / Non asbestos	Spiral wound 316SS / Non asbestos
4 COVER (FORGED)	ASTM A105N	ASTM A182 F316/L SS
5 DRAIN PLUG	ASTM A105N	ASTM A182 F316/L SS
6 BOLTING (On 2” only)	B7	B8

**NOTES**

- 1) Other materials including 304, 321, LF2, MONEL, F51 & F53 and other special alloys available on request
- 2) Special gaskets / bolting available on request

**All data is subject to confirmation at the time of order. Our policy is one of continual improvement and we reserve the right to amend details without prior notice.**